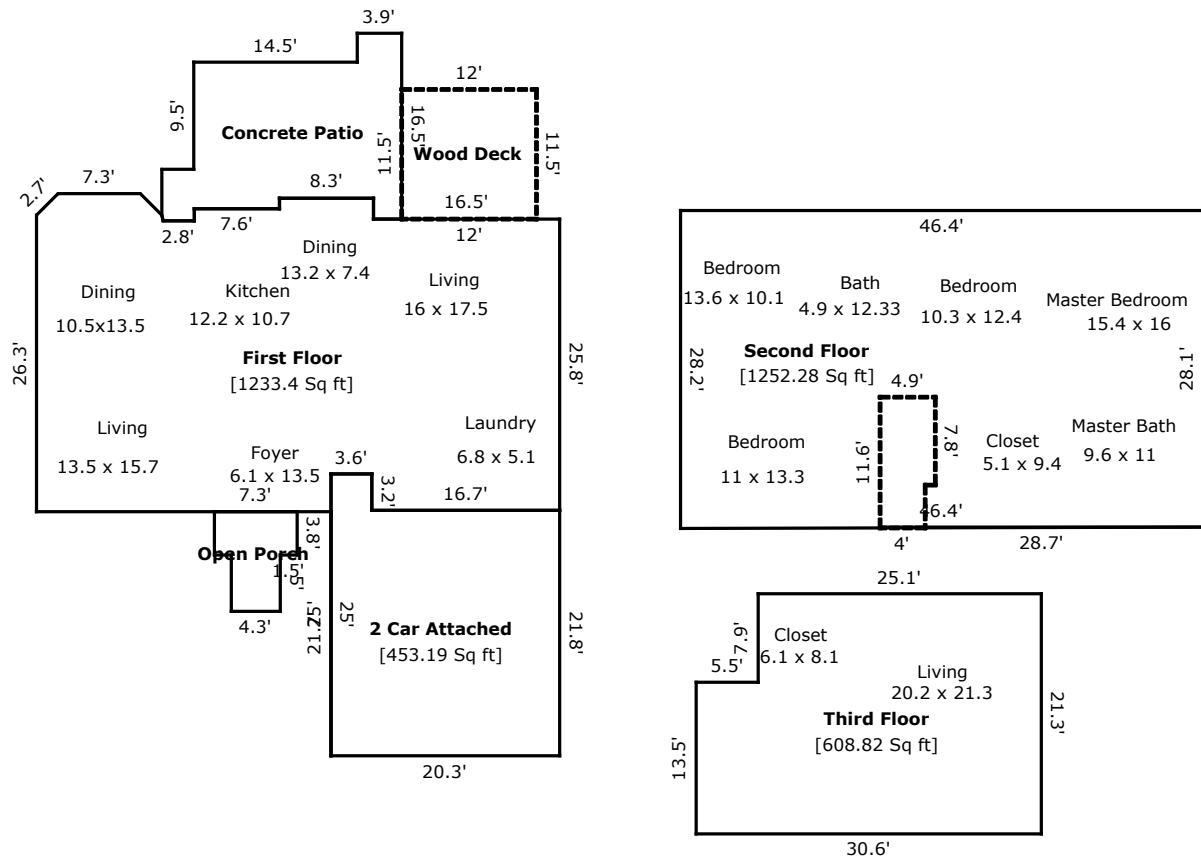


## Building Sketch

|                                   |      |        |       |                   |
|-----------------------------------|------|--------|-------|-------------------|
| Borrower/Client                   |      |        |       |                   |
| Property Address 306 Hunters Xing |      |        |       |                   |
| City                              | Cary | County | State | NC Zip Code 27518 |
| Lender                            |      |        |       |                   |



TOTAL Sketch by a la mode, inc.

### Area Calculations Summary

| Living Area                         |                   |
|-------------------------------------|-------------------|
| First Floor                         | 1233.4 Sq ft      |
| Second Floor                        | 1305.7 Sq ft      |
| Third Floor                         | 608.8 Sq ft       |
| Open to Below                       | -53.4 Sq ft       |
| <b>Total Living Area (Rounded):</b> | <b>3094 Sq ft</b> |
| Non-living Area                     |                   |
| Wood Deck                           | 137.5 Sq ft       |
| Open Porch                          | 49.9 Sq ft        |
| Concrete Patio                      | 257.3 Sq ft       |
| 2 Car Attached                      | 453.2 Sq ft       |